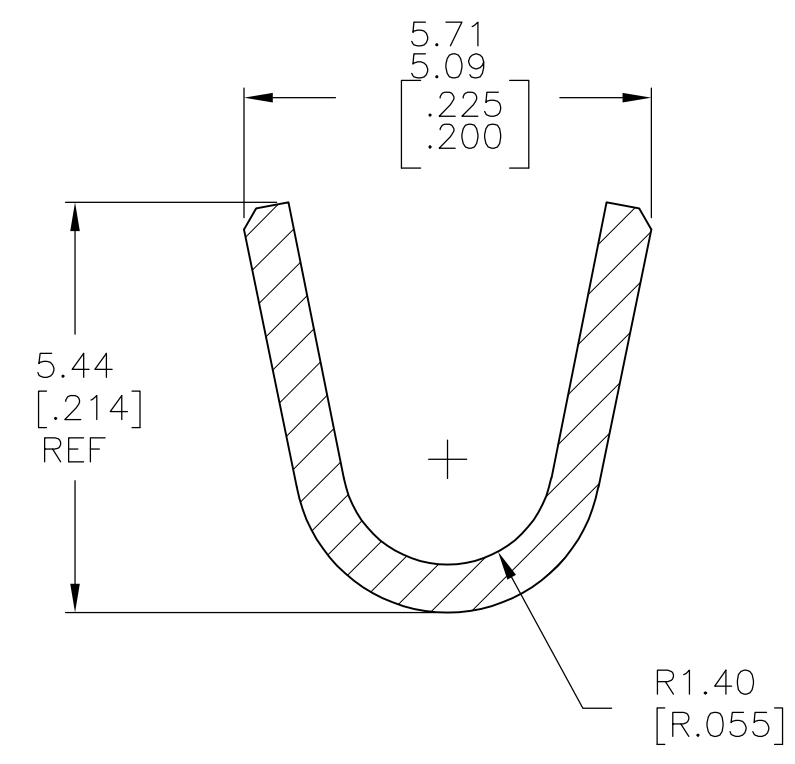
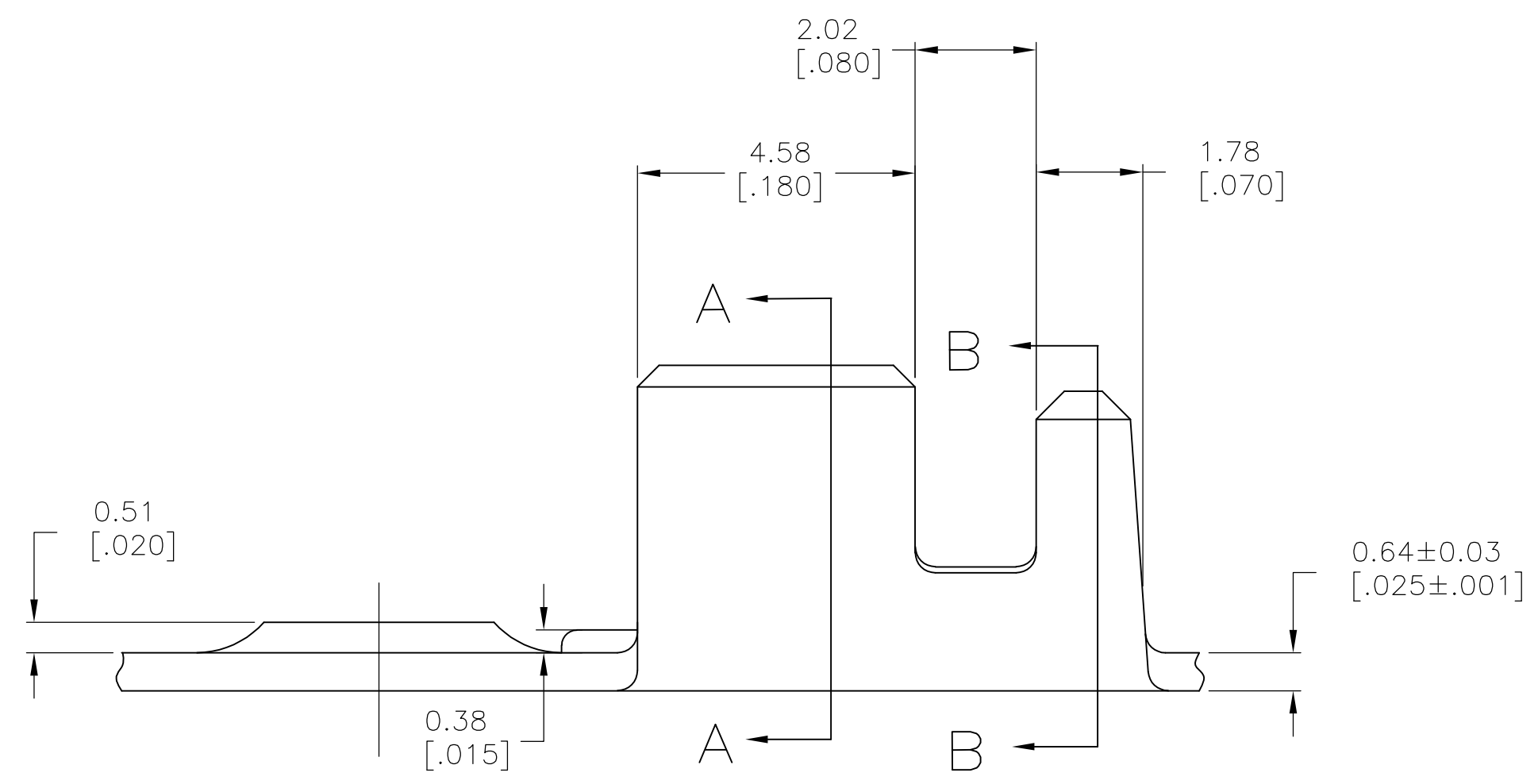
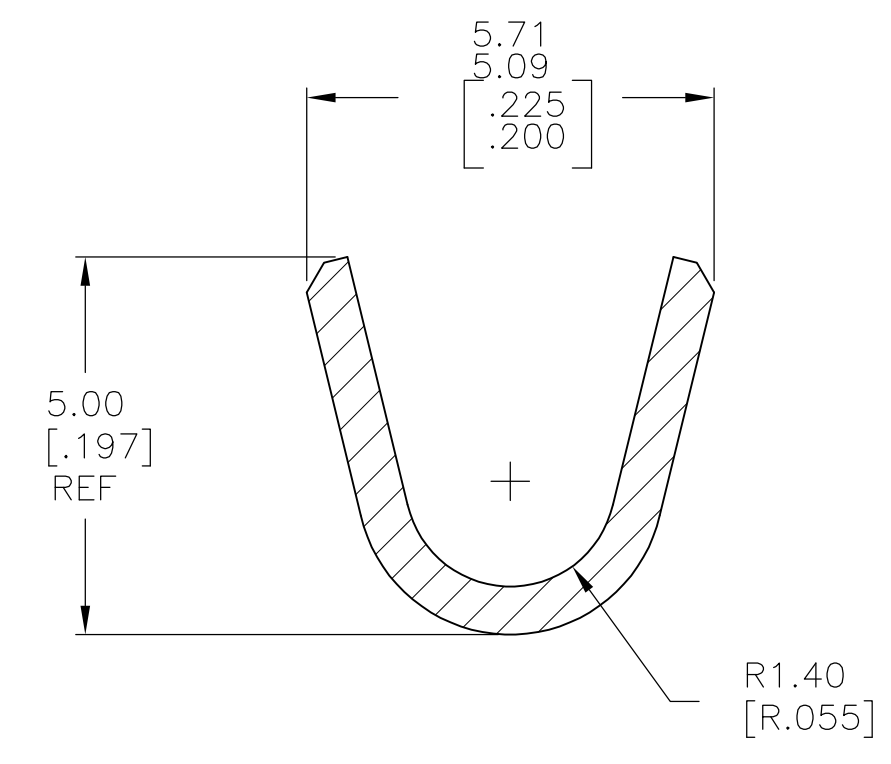


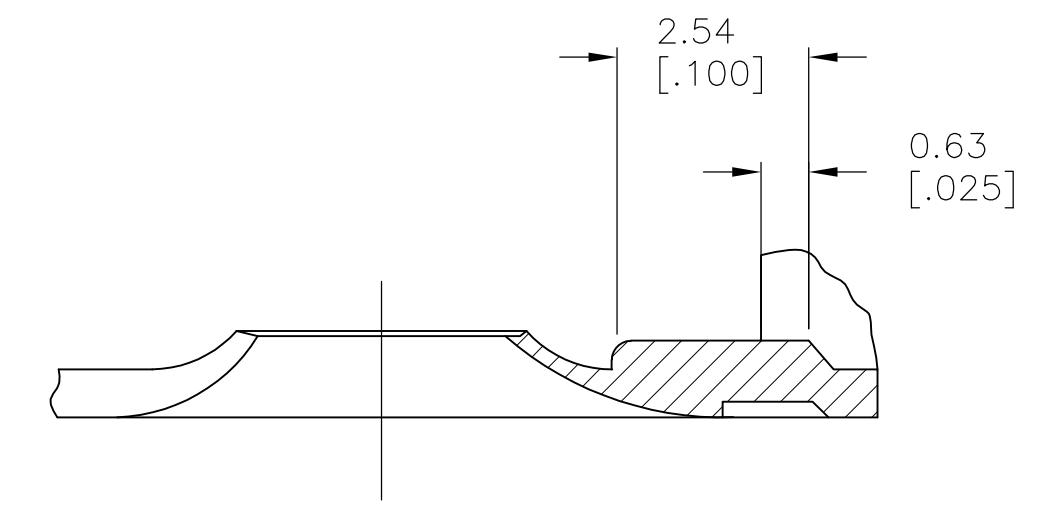
1 WIRE RANGE: (2) 14 1/2 MAG



SECTION A-A



SECTION B-B



SECTION C-C

OBSOLETE	---	505036-3
	PRE TIN	505036-1
	FINISH	PART NO

THIS DRAWING IS A CONTROLLED DOCUMENT.		DRN RAGHAVENDRA 07MAY08	Tyco Electronics Corporation Tyco Electronics Corporation Harrisburg, PA 17105-3608	
DIMENSIONS: mm [INCHES]		CHK JEFF RUTH 07MAY08	NAME JEFF RUTH 07MAY08	
TOLERANCES UNLESS OTHERWISE SPECIFIED:		PRODUCT SPEC		
0 PLC ± -		APPLICATION SPEC		
1 PLC ± -		SIZE CAGE CODE DRAWING NO		
2 PLC ± -		A1 00779 C=505036		
3 PLC ± 0.38 [.015]		RESTRICTED TO		
4 PLC ± -		CUSTOMER DRAWING		
ANGLES ± 1° 0'		SCALE 10:1 SHEET 1 OF 1 REV H1		
FINISH SEE TABLE				